



- ◆ Creating Value for Customers
- ◆ Seeking Development for Employees
- ◆ Taking Responsibility for Society

TAIZHOU CAIHONG TECHNOLOGY CO., LTD

Add: No.68 Minhe Road, Zeguo Town, Wenling City, Zhejiang Province, China

Tel: +86 158 586 256 99

E-mail: sales@solarpump-factory.com

Web: www.solarpump-factory.com



SOLAR PUMP

Professional Solar Pump Manufacturer



TAIZHOU CAIHONG TECHNOLOGY CO., LTD

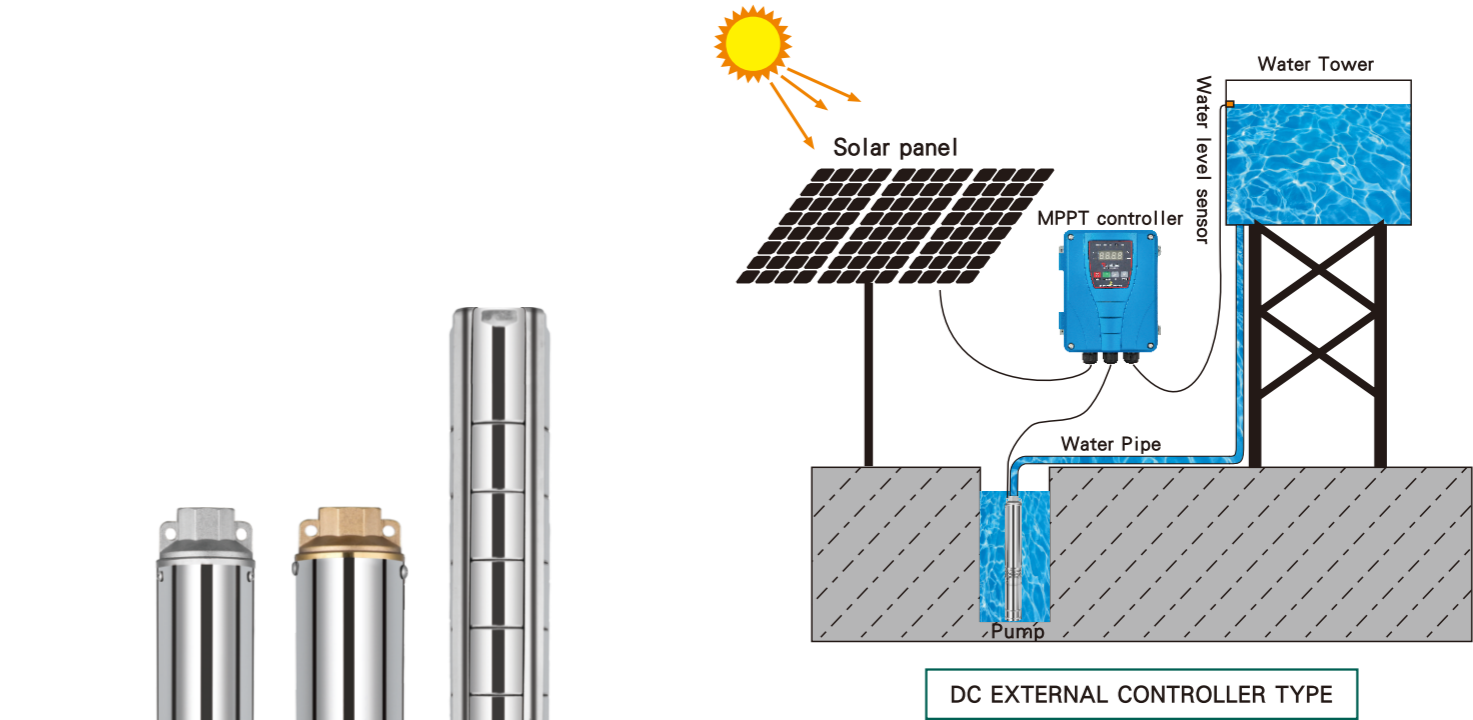
ABOUT US

Taizhou Caihong Technology Co., Ltd. is a company with 20 years of design and manufacturing experience in the water pump field. We have complete production equipment, reliable quality control processes, and first-class design standards. We have always focused on the field of solar water pumps, and our business philosophy is to create value for customers, seek development for employees, and take responsibility for society. Committed to becoming an outstanding solar water pump manufacturer and a leader in water pump energy-saving technology.



SOLAR SUBMERSIBLE PUMP

Natural green energy



Advantage Of Solar Submersible Pump

1. High efficiency Permanent Magnet DC brushless synchronous motor: efficiency improved by 15%-30%.
2. Corrosion-resistant AISI304 stainless steel shaft.
3. Integral floating impeller design for better sand resistance.
4. Smaller volume, higher power, and more convenient installation.
5. SH high grade neodymium iron boron magnetic steel, temperature resistance up to 150°C.
6. Class F (180°C) high temperature resistant copper windings coil.

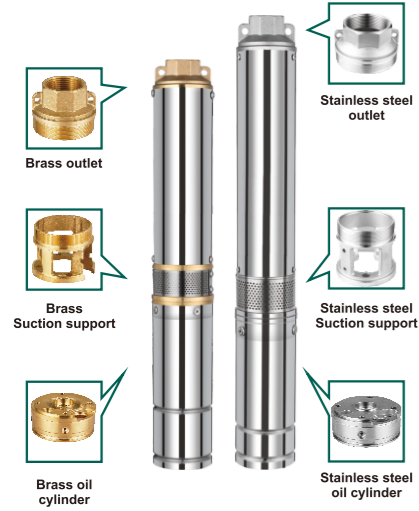
Solar Controller

1. Waterproof grade: IP65.
2. Wide open circuit voltage range.
3. MPPT tracking algorithm greater than 99.5%, resulting in higher utilization of solar panels.
4. Friendly UI design, more convenient to use.
5. Soft start: No impulse current, protect the pump motor.
6. Over-voltage/under voltage/over-current/phase loss/short circuit/water shortage/high temperature protection etc.
7. A comprehensive system parameter design that can easily solve various complex working conditions.



3SRD

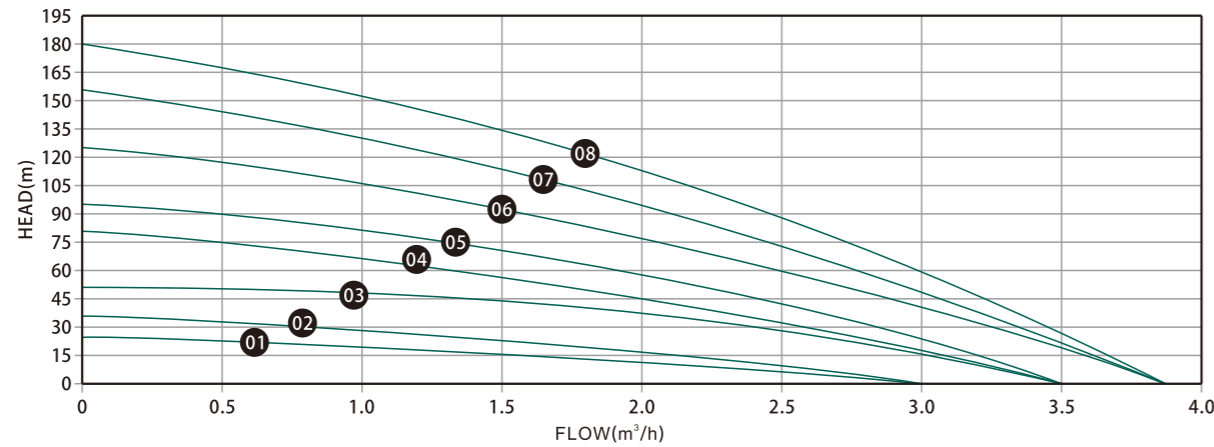
3" DC Brushless Solar Submersible Centrifugal Pump With Plastic Impellers



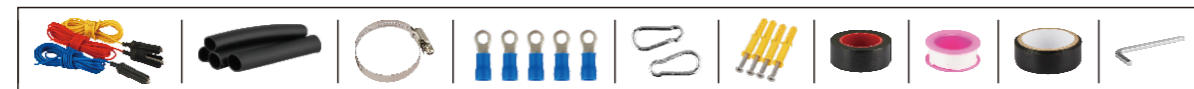
TECHNICAL DATA

No.	ITEM	Voltage (Vdc)	Max Flow (m ³ /h)	Max Head (m)	Pump		Outlet	Cable	Solar Panels	
					Optimum Input Voltage (Vdc)	Power (W)			Open Circuit Voltage (Voc)	Power (W)
1	3SRD3-25/D24-200	24	3.0	25	30-50	200	1.25"	2m	≤60Vdc	≥1.5*Pump Power
2	3SRD3-35/D24-300	24	3.0	35	30-50	300	1.25"	2m	≤60Vdc	≥1.5*Pump Power
3	3SRD3.5-47/D48-400	48	3.5	47	60-90	400	1.25"	2m	≤110Vdc	≥1.5*Pump Power
4	3SRD3.5-80/D48-600	48	3.5	80	60-90	600	1.25"	2m	≤110Vdc	≥1.5*Pump Power
5	3SRD3.5-95/D72-750	72	3.5	95	90-120	750	1.25"	2m	≤160Vdc	≥1.5*Pump Power
6	3SRD3.8-123/D72-1100	72	3.8	123	90-120	1100	1.25"	2m	≤160Vdc	≥1.5*Pump Power
7	3SRD3.8-155/D110-1300	110	3.8	155	110-150	1300	1.25"	2m	≤200Vdc	≥1.5*Pump Power
8	3SRD3.8-180/D110-1500	110	3.8	180	110-150	1500	1.25"	2m	≤200Vdc	≥1.5*Pump Power

HYDRAULIC PERFORMANCE CURVES



ACCESSORIES



3SRD

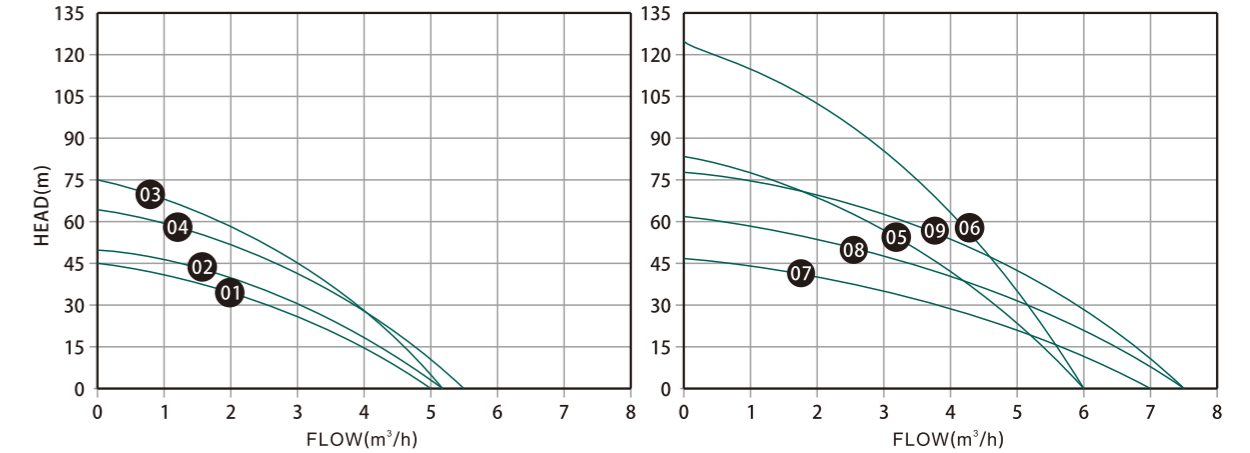
3" DC Brushless Solar Submersible Centrifugal Pump With Plastic Impellers



TECHNICAL DATA

No.	ITEM	Voltage (Vdc)	Max Flow (m ³ /h)	Max Head (m)	Pump		Outlet	Cable	Solar Panels	
					Optimum Input Voltage (Vdc)	Power (W)			Open Circuit Voltage (Voc)	Power (W)
1	3SRD5-45/D48-600	48	5.0	45	60-90	600	1.5"	2m	≤110Vdc	≥1.5*Pump Power
2	3SRD5.2-50/D48-600	48	5.2	50	60-90	600	1.5"	2m	≤110Vdc	≥1.5*Pump Power
3	3SRD5.2-75/D72-750	72	5.2	75	90-120	750	1.5"	2m	≤160Vdc	≥1.5*Pump Power
4	3SRD5.5-65/D72-750	72	5.5	65	90-120	750	1.5"	2m	≤160Vdc	≥1.5*Pump Power
5	3SRD6-84/D72-1100	72	6.0	84	90-120	1100	1.5"	2m	≤160Vdc	≥1.5*Pump Power
6	3SRD6-125/D110-1500	110	6.0	125	110-150	1500	1.5"	2m	≤200Vdc	≥1.5*Pump Power
7	3SRD7-46/D72-750	72	7.0	46	90-120	750	1.5"	2m	≤160Vdc	≥1.5*Pump Power
8	3SRD7.5-62/D72-1100	72	7.5	62	90-120	1100	1.5"	2m	≤160Vdc	≥1.5*Pump Power
9	3SRD7.5-78/D110-1500	110	7.5	78	110-150	1500	1.5"	2m	≤200Vdc	≥1.5*Pump Power

HYDRAULIC PERFORMANCE CURVES

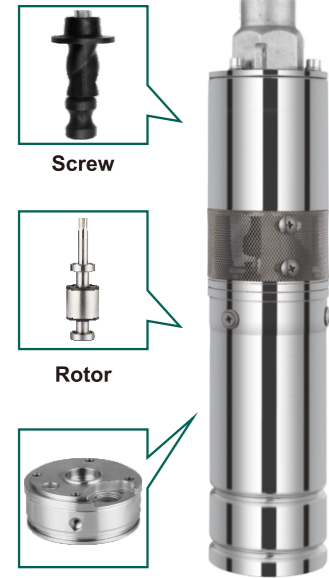


ACCESSORIES



3SSD

3" DC Brushless Solar Submersible Screw Pump



Screw

Rotor

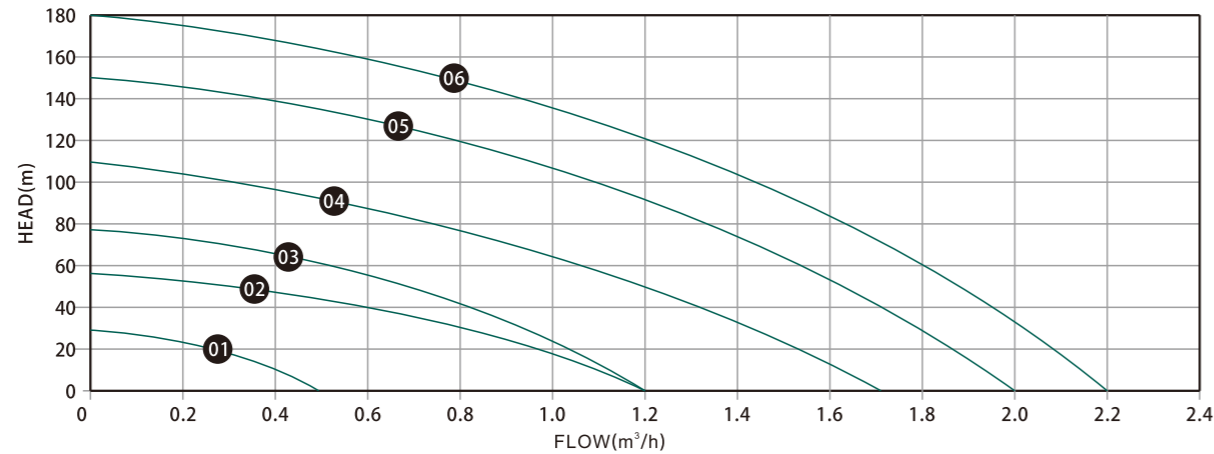
Stainless steel oil cylinder



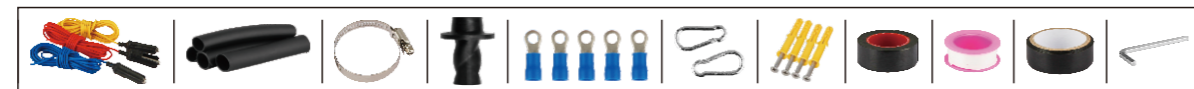
TECHNICAL DATA

No.	ITEM	Voltage (Vdc)	Max Flow (m ³ /h)	Max Head (m)	Pump		Outlet	Cable	Solar Panels	
					Optimum Input Voltage (Vdc)	Power (W)			Open Circuit Voltage (Voc)	Power (W)
1	3SSD0.5-28/D24-80	24	0.5	28	30-50	80	0.75"	2m	≤60Vdc	≥1.5*Pump Power
2	3SSD1.2-56/D24-120	24	1.2	56	30-50	120	0.75"	2m	≤60Vdc	≥1.5*Pump Power
3	3SSD1.2-77/D24-210	24	1.2	77	30-50	210	0.75"	2m	≤60Vdc	≥1.5*Pump Power
4	3SSD1.7-109/D48-500	48	1.7	109	60-90	500	0.75"	2m	≤110Vdc	≥1.5*Pump Power
5	3SSD2-150/D72-750	72	2.0	150	90-120	750	0.75"	2m	≤160Vdc	≥1.5*Pump Power
6	3SSD2.2-180/D72-1100	72	2.2	180	90-120	1100	0.75"	2m	≤160Vdc	≥1.5*Pump Power

HYDRAULIC PERFORMANCE CURVES



ACCESSORIES



3SPD

3" DC Brushless Solar Submersible Centrifugal Pump With Stainless Steel Impellers



Stainless steel impeller

Stainless steel oil cylinder

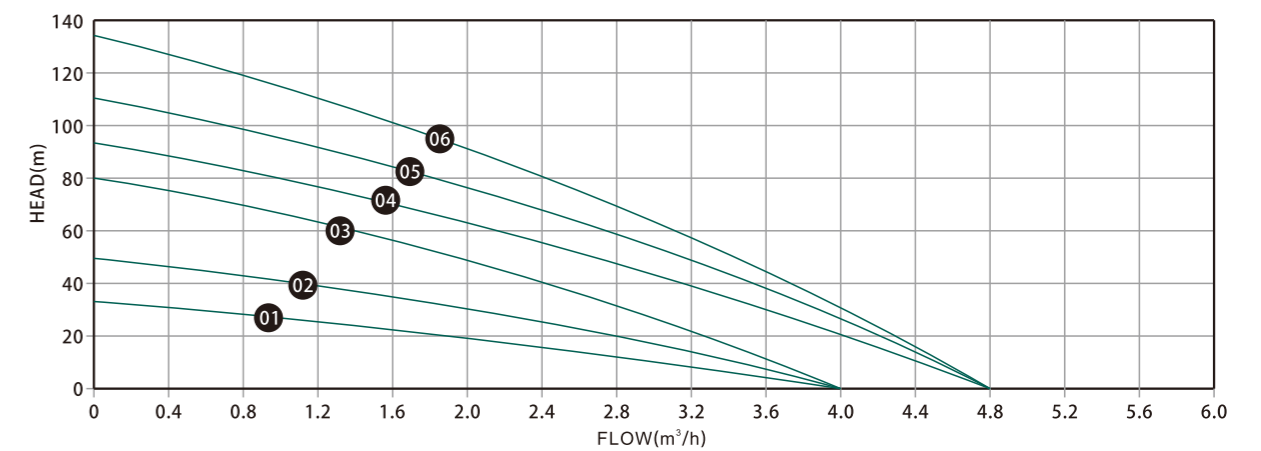
Rotor



TECHNICAL DATA

No.	ITEM	Voltage (Vdc)	Max Flow (m ³ /h)	Max Head (m)	Pump		Outlet	Cable	Solar Panels	
					Optimum Input Voltage (Vdc)	Power (W)			Open Circuit Voltage (Voc)	Power (W)
1	3SPD4-35/D24-300	24	4.0	35	30-50	300	1.25"	2m	≤60Vdc	≥1.5*Pump Power
2	3SPD4-50/D48-400	48	4.0	50	60-90	400	1.25"	2m	≤100Vdc	≥1.5*Pump Power
3	3SPD4-80/D48-600	48	4.0	80	60-90	600	1.25"	2m	≤110Vdc	≥1.5*Pump Power
4	3SPD4.8-95/D72-750	72	4.8	95	90-120	750	1.25"	2m	≤160Vdc	≥1.5*Pump Power
5	3SPD4.8-112/D72-1100	72	4.8	112	90-120	1100	1.25"	2m	≤160Vdc	≥1.5*Pump Power
6	3SPD4.8-135/D110-1500	110	4.8	135	110-150	1500	1.25"	2m	≤200Vdc	≥1.5*Pump Power

HYDRAULIC PERFORMANCE CURVES

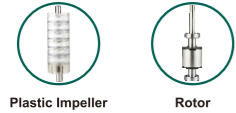
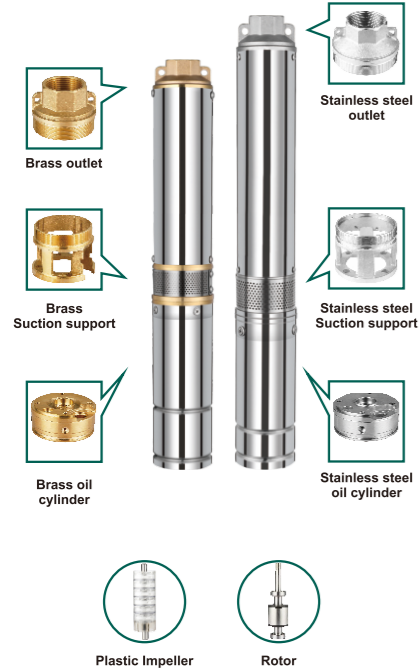


ACCESSORIES



4SRD

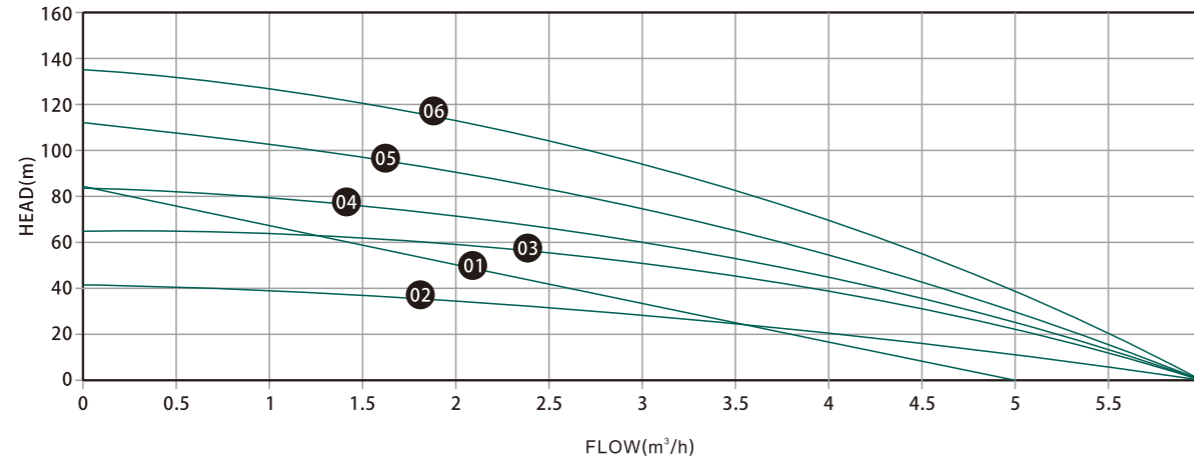
4" DC Brushless Solar Submersible Centrifugal Pump With Plastic Impellers



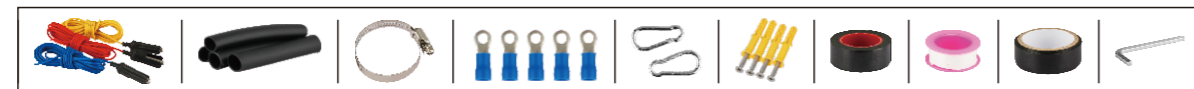
TECHNICAL DATA

No.	ITEM	Voltage (Vdc)	Max Flow (m ³ /h)	Max Head (m)	Pump		Outlet	Cable	Solar Panels	
					Optimum Input Voltage (Vdc)	Power (W)			Open Circuit Voltage (Voc)	Power (W)
1	4SRD5-85/D48-750	48	5.0	85	60-90	750	2"	2m	≤110Vdc	≥1.5*Pump Power
2	4SRD6-42/D48-600	48	6.0	42	60-90	600	2"	2m	≤110Vdc	≥1.5*Pump Power
3	4SRD6-65/D48-750	48	6.0	65	60-90	750	2"	2m	≤110Vdc	≥1.5*Pump Power
4	4SRD6-84/D72-1100	72	6.0	84	90-120	1100	2"	2m	≤160Vdc	≥1.5*Pump Power
5	4SRD6-112/D110-1300	110	6.0	112	110-150	1300	2"	2m	≤200Vdc	≥1.5*Pump Power
6	4SRD6-135/D110-1500	110	6.0	135	110-150	1500	2"	2m	≤200Vdc	≥1.5*Pump Power

HYDRAULIC PERFORMANCE CURVES

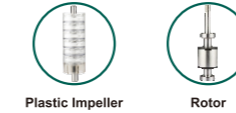
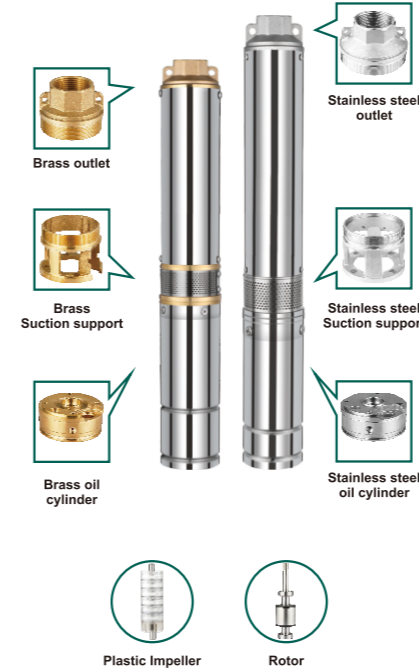


ACCESSORIES



4SRD

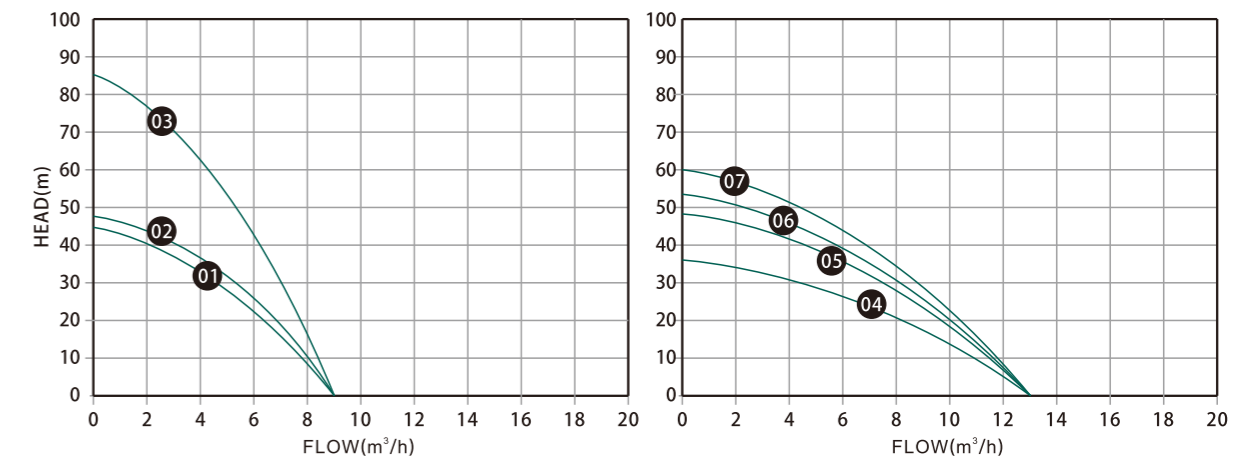
4" DC Brushless Solar Submersible Centrifugal Pump With Plastic Impellers



TECHNICAL DATA

No.	ITEM	Voltage (Vdc)	Max Flow (m ³ /h)	Max Head (m)	Pump		Outlet	Cable	Solar Panels	
					Optimum Input Voltage (Vdc)	Power (W)			Open Circuit Voltage (Voc)	Power (W)
1	4SRD9-45/D48-750	48	9	45	60-90	750	2"	2m	≤110Vdc	≥1.5*Pump Power
2	4SRD9-58/D72-1100	72	9	58	90-120	1100	2"	2m	≤160Vdc	≥1.5*Pump Power
3	4SRD9-85/D110-1500	110	13	85	110-150	1500	2"	2m	≤200Vdc	≥1.5*Pump Power
4	4SRD13-36/D48-750	48	13	36	60-90	750	2"	2m	≤110Vdc	≥1.5*Pump Power
5	4SRD13-49/D72-1100	72	13	49	90-120	1100	2"	2m	≤160Vdc	≥1.5*Pump Power
6	4SRD13-54/D110-1300	110	13	54	110-150	1300	2"	2m	≤200Vdc	≥1.5*Pump Power
7	4SRD13-60/D110-1500	110	13	60	110-150	1500	2"	2m	≤200Vdc	≥1.5*Pump Power

HYDRAULIC PERFORMANCE CURVES



ACCESSORIES



4SPD

4" DC Brushless Solar Submersible Centrifugal Pump With Stainless Steel Impellers



Stainless steel Impeller



Stainless steel oil cylinder



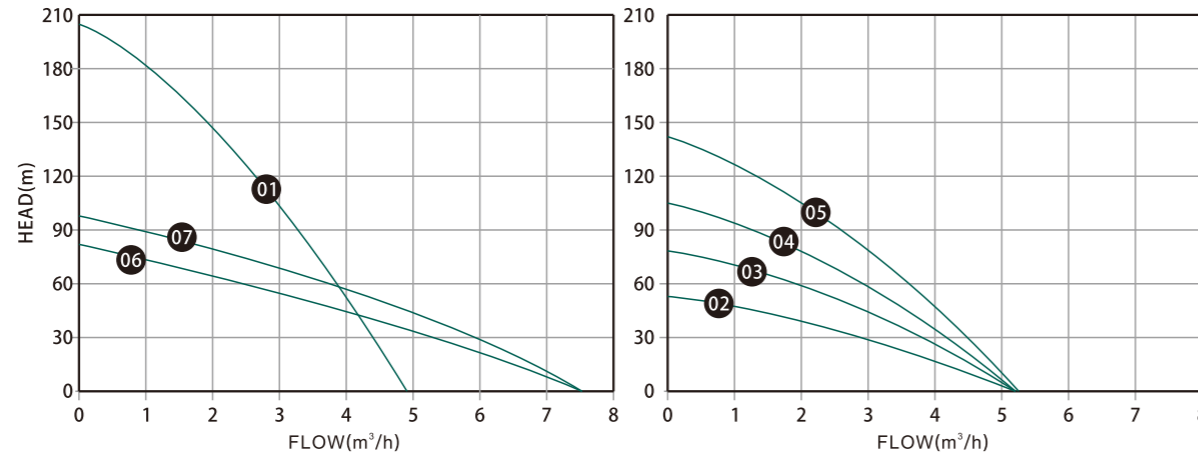
Rotor



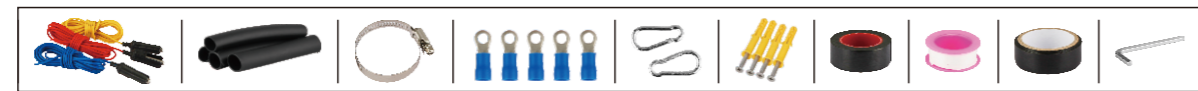
TECHNICAL DATA

No.	ITEM	Voltage (Vdc)	Max Flow (m ³ /h)	Max Head (m)	Pump		Outlet	Cable	Solar Panels	
					Optimum Input Voltage (Vdc)	Power (W)			Open Circuit Voltage(Voc)	Power (W)
1	4SPD4.8-203/D110-1500	110	4.8	203	110-150	1500	1.25"	2m	≤200Vdc	≥1.5*Pump Power
2	4SPD5.2-45/D48-500	48	5.2	45	60-90	500	1.25"	2m	≤110Vdc	≥1.5*Pump Power
3	4SPD5.2-67/D48-750	48	5.2	67	60-90	750	1.25"	2m	≤110Vdc	≥1.5*Pump Power
4	4SPD5.2-100/D72-1100	72	5.2	100	90-120	1100	1.25"	2m	≤160Vdc	≥1.5*Pump Power
5	4SPD5.2-146/D110-1300	110	5.2	146	110-150	1300	1.25"	2m	≤200Vdc	≥1.5*Pump Power
6	4SPD7.5-80/D110-1300	110	7.5	80	110-150	1300	1.25"	2m	≤200Vdc	≥1.5*Pump Power
7	4SPD7.5-100/D110-1500	110	7.5	100	110-150	1500	1.25"	2m	≤200Vdc	≥1.5*Pump Power

HYDRAULIC PERFORMANCE CURVES



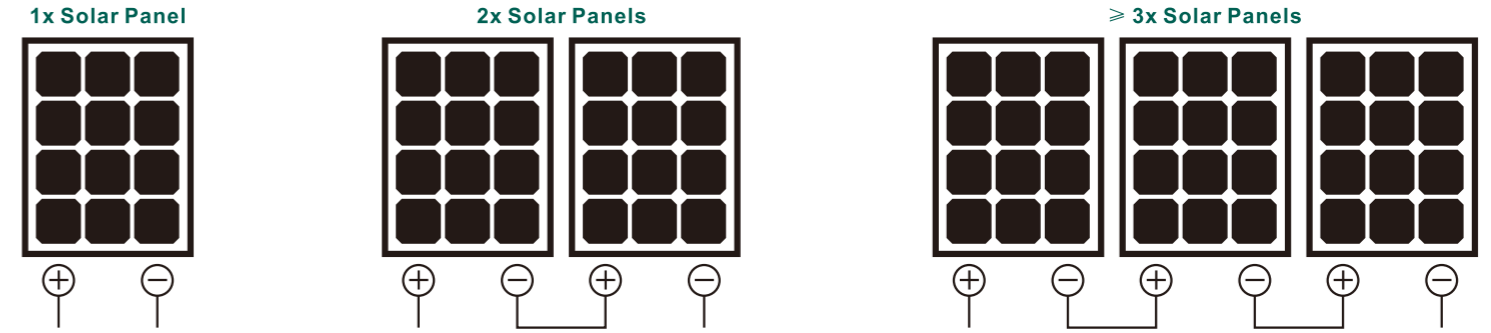
ACCESSORIES



Installation instructions for solar panels



1. Schematic diagram of series installation of solar panels



2. Schematic diagram of series and parallel installation of solar panels

